

Preliminary

FCL Components Thermal Printer FTP-638WSL201 series

FCL Components battery drive, 3" mobile thermal printer

Overview

High speed, rugged mobile printer that can accommodate 2" or 3" paper width and a large diameter roll.

This exceptional printer is suited for a wide range of applications from mobile POS, warehousing, logistics and event ticketing.

Features

- **High performance and easy operation**
Max. 130mm/sec. print speed, built-in color LCD
- **Includes all modern interfaces**
USB, Bluetooth®, WLAN, NFC
- **Paper options**
Thermal receipt / Label (front/back mark, gap detection)
- **Rugged construction**
2.1 meters and IP54 rated
- **Standard accessories**
Belt strap, USB cable, AC adapter, battery
- **Optional accessories**
5000mAh extended capacity battery, shoulder strap, car charger, battery charging cradle
- RoHS compliant



FTP-638WSL201

■ Specifications

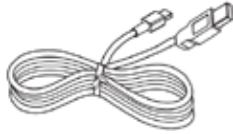
Item		Specifications	
Part number		FTP-638WSL201	
Interface		WLAN, Bluetooth 4.2, USB (V2.0), NFC (ISO/IEC14443 Type A)	
Resolution		203dpi (8dots/mm)	
Effective printing area		72mm	
Media	Type	Thermal paper	
	Width	50 to 80mm	
	Thickness	60-160µm	
	Core diameter	12.5mm	
	Roll diameter	Max. 66.5mm	
Power	Battery (Lithium Ion)	7.2VDC lithium, 2,500mAh (optional 5,000mAh)	
	AC adaptor	Input: 100VAC to 240VAC Output: 5V, 2A	
Print	Print speed	Max. 130mm/sec.	
	Emulation	ESC/POS, CPCL, ZPL II	
	Character types	Alphanumeric, International, Japanese Kanji, Korean, Chinese-GB2312, Chinese-BIG5	
	Barcode	1D EAN13, EAN8, CODABAR, CODE11, CODE39, CODE93, CODE128, ITF, LUPC-A, UPC-E, Planet, UPC-A 2D QR, MAXI CODE, PDF417, MicroPDF417, Datamatrix, Aztec, TLC39 GS1 DataBar-14 Stacked, GS1 DataBar-14 Omnidirectional	
Dimensions		118 x 158 x 80mm (WxDxH)	
Weight	Printer with battery	Approximately 725g	
Life	Head	Pulse	1x10 ⁸ pulses
		Wear	50km
	Battery	200m (using a new battery, and operating under FCL Components standard conditions)	
Certifications		CE, FCC, UL/cUL, TELEC, VCCI	
Environmental conditions	Operating temperature	-20°C to +55°C	
	Operating humidity	10 to 90% RH (no condensation)	
	Storage temperature	-30°C to +65°C	
	Storage humidity	10 to 90% RH (without paper, no condensation)	

■ Standard accessories

AC adapter



USB cable



Battery



Belt strap

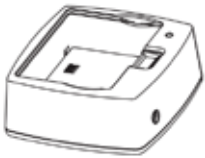


Quick guide



■ Optional accessories

Charging cradle



Car charger



Large battery

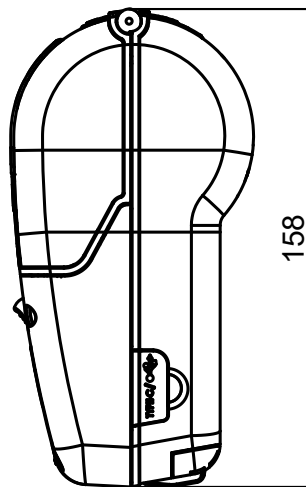
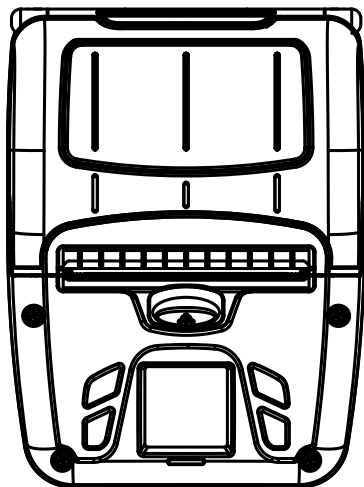
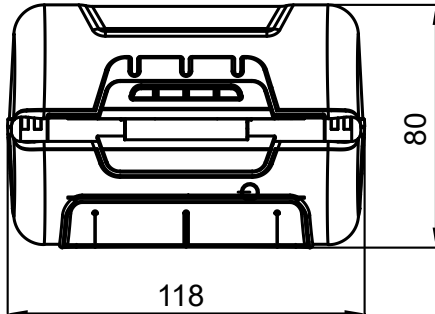


Shoulder strap



■ Dimensions

- Printer mechanism: 3-inch



- Notes:
1. Dimensions are nominal value tolerance $\pm 5\text{mm}$ unless otherwise specified.
 2. Dimensions in () is reference value.

■ Commands

Command	Content
HT	Horizontal tab
LF	Print and line feed
CR	Print and carriage return
FF	Print end position label to start printing
CAN	Cancel print data in page mode
DLE EOT	Real-time status transmission
DLE ENQ	Real-time request to printer
ESC FF	Print data in page mode
ESC SP	Set character right-side spacing
ESC !	Set print mode
ESC \$	Set absolute print position
ESC %	Select/cancel user-defined character set
ESC &	Define user-defined characters
ESC *	Set bit image mode
ESC -	Turn underline mode on/off
ESC 2	Set 1/6 inch line spacing
ESC 3	Set line spacing using minimum units
ESC ?	Cancel user-defined characters
ESC @	Initialize printer
ESC D	Set horizontal tab positions
ESC E	Select emphasized mode
ESC G	Select double-strike mode
ESC J	Print end feed paper using minimum units
ESC L	Select page mode
ESC M	Select character font
ESC R	Select international character set
ESC S	Select standard mode
ESC T	Select print direction in page mode
ESC V	Set/cancel 90° cw rotated character
ESC W	Set printing area in page mode
ESC \	Set relative position
ESC a	Align position
ESC d	Print and feed paper n lines
ESC t	Select character code table
ESC {	Set/cancel upside-down character printing
FS p	Print NV bit image
FS q	Define NV bit image
GS !	Select character size
GS \$	Set absolute vertical print position in page mode
GS *	Define downloaded bit image
GS /	Print down-loaded bit image
GS B	Turn white/black reverse printing mode on/off

Command	Content
GS H	Select printing position of HRI characters
GS I	Transmit printer ID
GS L	Set left margin
GS W	Set printing area width
GS \	Set relative vertical print position in page mode
GS a	Enable/disable Automatic Status Back(ASB)
GS f	Select font for HRI characters
GS h	Set bar code height
GS k	Print bar code
GS r	Transmit status
GS v 0	Print raster bit image
GS w	Set bar code width

Contact

Japan

FCL COMPONENTS LIMITED
Shinagawa Seaside Park Tower
12-4, Higashi-shinagawa 4-chome,
Tokyo 140 0002, Japan
Tel: +81 3 3450 1682
Email: fcl-contact@cs.fcl-components.com

Europe

FCL COMPONENTS EUROPE B.V.
Diamantlaan 25
2132 WV Hoofddorp
Netherlands
Tel: +31 23 5560910
Email: info@fcl-components.eu

China

FCL COMPONENTS (SHANGHAI) CO., LTD.
Unit 1105, Central Park –Jing An, No.329 Heng
Feng Road, Shanghai 200070, China
Tel: +86 021 3253 0998
Email: fcsh@fcl-components.com

North and South America

FCL COMPONENTS AMERICA, INC.
2055 Gateway Place, Suite 480
San Jose, CA 95110 U.S.A.
Tel: +1 408 745 4900
Email: fcai.components@fcl-components.com

Asia Pacific

FCL COMPONENTS ASIA, LTD.
No. 20 Harbour Drive, #07-01B
Singapore 117612
Tel: +65 6375 8560
Email: fcal@fcl-components.com

Hong Kong

FCL COMPONENTS HONG KONG CO., LIMITED
Room 13, 23/F, Seapower Tower, Concordia Plaza,
No.1 Science Museum Road,
Tsim Sha Tsui East, Kowloon, Hong Kong
Tel: +852 2881 8495
Email: fcsh@fcl-components.com

Web: www.fcl-components.com/en/

Copyright

All trademarks or registered trademarks are the property of their respective owners. FCL Components America or its affiliates do not warrant that the content of datasheet is error free. In a continuing effort to improve our products FCL Components America, Inc. or its affiliates reserve the right to change specifications/datasheets without prior notice.

Copyright ©2024 FCL Components America, Inc. All rights reserved. Revised February 1, 2024.
